

**Memorandum
Public Works Department**



To: City Manager
Subject: Decorative Light Pole Purchase – Downtown TIF (201)
Date: September 28, 2020
Number: 2020-152

The Public Works Department, in its continued effort to update the City's streetlighting, plans to purchase ten decorative light poles and LED fixtures for the downtown area around the former Modern Woodman Bank Building. Public Works is taking advantage of the excavation to replace all electrical feeds with new wire and conduit. Additional conduit will be added for any future fiber optic needs.

Pricing information was gathered through the cooperative purchasing contract US Communities EV2370. The purchase amount for ten pendant light fixtures with LED is \$41,610.40

Recommendation

The Public Works Department recommends that the City Council approve the purchase of ten Holophane light poles and LED fixtures from Graybar Electric Supply, Davenport, IA in the amount of \$41,610.40

Fund:	201	TIF
Department:	312	Economic Development
Cost Center:	801	General Development
Object Code:	52304	Electrical Supplies

Submitted by: Michael T. Bartels, Public Works Director
Luke VanLandegen, Municipal Services Supervisor

Approved by: Randall D. Tweet, City Manager



2424 NORTH MAIN ST
 EAST PEORIA IL 61611-1742
 Phone: 309-427-2000
 Fax: 309-694-6128

To: CITY OF ROCK ISLAND
 1528 3RD AVE
 ROCK ISLAND IL 61201-8612
 Attn: Luke Vanlandegen
 Phone: 309-732-2310
 Email: invoices.electrical@rigov.org
 Fax: 309-732-2380

Date: 09/18/2020
Project Name: HOLOPHANE LIGHTS /U.S COMMUNITIES CO-OP
GB Quote #: 0236258152
 Purchase Order Nbr:
 Release Nbr:
 Additional Ref#:
 Revision Nbr: 3
 Valid From: 09/18/2020
 Valid To: 10/18/2020
 Contact: MARK SWANK
 Email: mark.swank@graybar.com

Proposal

We appreciate your request and take pleasure in responding as follows

Notes: * ***U.S Communities <(>&<)> Omnia Partner Pricing

Item	ItemType	Quantity	Supplier	Catalog Nbr	Description	Price	Unit	Ext.Price
200		8	HOLOPHANE	NOA12O4C12P1 5ABGBK RFD314333 SINGLE ARM	* SINGLE ARM W/ 1 FIXTURE ESPL2 P20 50K A	\$3,720.78	1	\$29,766.24
GB Part#: NOF HOL LTFIXTURES								
300		2	HOLOPHANE	NOA12O4C12P1 5ABGBK RFD314333 DOUBLE ARM	* DOUBLE ARM W/ 2 FIXTURES ESPL2 P20 50K A	\$5,922.08	1	\$11,844.16
GB Part#: NOF HOL LTFIXTURES								

Total in USD (Tax not included): \$41,610.40

This equipment and associated installation charges may be financed for a low monthly payment through Graybar Financial Services (subject to credit approval). For more information call 1-800-241-7408 to speak with a leasing specialist.

This Graybar quote is based on the terms of sale in the EV2370 Master Agreement which can be found by clicking the link found at

https://www.omniapartners.com/hubfs/PUBLIC%20SECTOR/Supplier%20Information/Graybar/EV2370_Graybar_MAD_2017_12_20.pdf

To: CITY OF ROCK ISLAND
1528 3RD AVE
ROCK ISLAND IL 61201-8612
Attn: Luke Vanlandegen

Date: 09/18/2020
Project Name: HOLOPHANE LIGHTS /U.S COMMUNITIES CO-OP
GB Quote #: 0236258152

Proposal

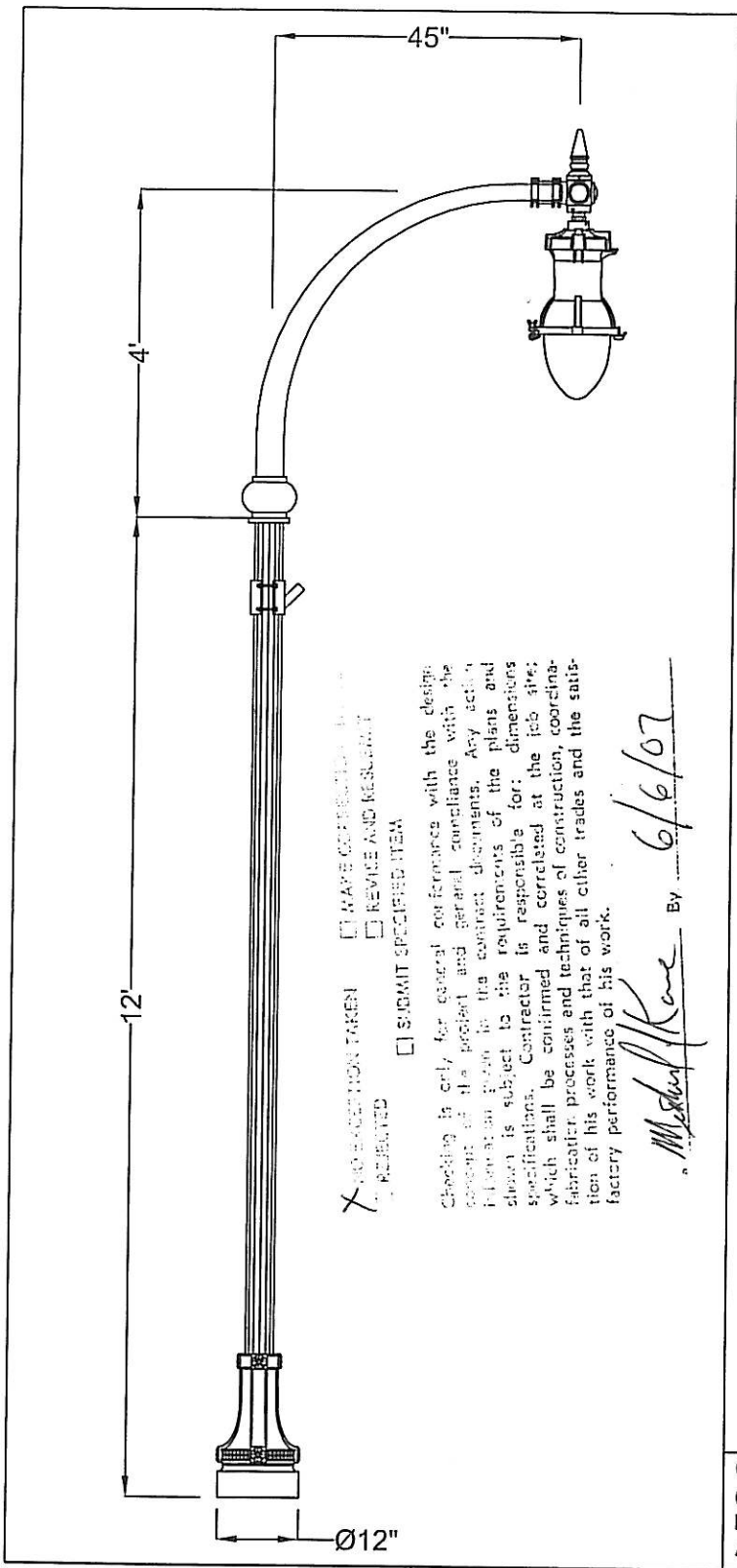
We appreciate your request and take pleasure in responding as follows

Item	ItemType	Quantity	Supplier	Catalog Nbr	Description	Price	Unit	Ext.Price
------	----------	----------	----------	-------------	-------------	-------	------	-----------

This equipment and associated installation charges may be financed for a low monthly payment through Graybar Financial Services (subject to credit approval). For more information call 1-800-241-7408 to speak with a leasing specialist.

This Graybar quote is based on the terms of sale in the EV2370 Master Agreement which can be found by clicking the link found at

https://www.omniapartners.com/hubs/PUBLIC%20SECTOR/Supplier%20Information/Graybar/EV2370_Graybar_MAD_2017_12_20.pdf



Specifications

DESCRIPTION The lighting post shall be all aluminum, one-piece construction, with a tapered base with decorative bands. The shaft shall be 4" fluted. The post shall be Holophane's catalog number NO12F4/12-CA/BK. Mounted at top the shaft will be an "OUC" style single arm with a West Liberty Leveling slipfitter and an Esplanade Pedestrian Style luminaire. Mounted on the shaft is a clamp-on style flagpole holder.

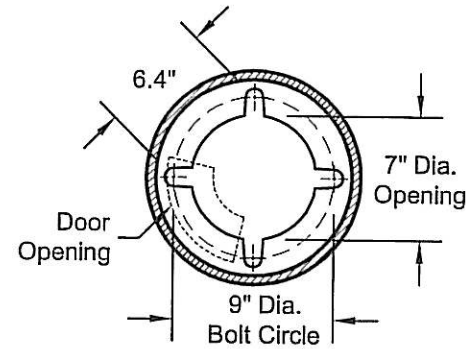
MATERIALS The base shall be heavy wall, cast aluminum produced from certified ASTM 356.1 ingot per ASTM B-179-95a or ASTM B26-95. The straight shafts shall be extruded from aluminum, ASTM 6061 alloy, heat treated to a T6 temper. The tapered shaft shall be extruded from aluminum, ASTM 6063 alloy, spun to a tapered shape, then heat treated to a T6 temper. All hardware shall be tamper resistant stainless steel. Anchor bolts to be completely hot dip galvanized.

CONSTRUCTION The shaft shall be double welded to the base casting and shipped as one piece for maximum structural integrity. The shaft shall be circumferentially welded inside the base casting at the top of the access door, and externally where the shaft exits the base. All exposed welds below 8' shall be ground smooth. All welding shall be per ANSI/AWS D1.2-90. All welders shall be certified per Section 5 of ANSI/AWS D1.2-90.

DIMENSIONS The post shall be 12'-0" in height with an 12" diameter base. The shaft diameter shall be 4". (see back page) At the top of the post, an integral 3.5" O.D.x8" tall tenon with a transitional donut shall be provided for arm mounting.

INSTALLATION The post shall be provided with four, L-type anchor bolts to be installed on a 9" diameter bolt circle. A door shall be provided in the base for anchorage and wiring access. A grounding screw shall be provided inside the base opposite the door.

ANCHORAGE GUIDE



Catalog #
 (AOL-22432)NO12OF4.512CABKH OUC45/1CABKH
 FPH1/CO4.5CABKH
 AB-31-4-WLLF/200-CA/BK-ESP15AHPMTB4 PR



City of RI-7th Ave 11th-21st
 Rock Island, IL

ORDER #:	TYPE: 140/142	DRAWING #:
REVISION:	REVISION DATE:	TSG 002591
DRAWN: DJO	ORIGIN DATE: 05-14-07	PAGE: 1 of 1

THIS DRAWING, WHEN APPROVED, SHALL BECOME THE COMPLETE SPECIFICATION FOR THE MATERIAL TO BE FURNISHED BY HOLOPHANE ON THE ORDER NOTED ABOVE. A UNIT OF SIMILAR DESIGN MAY BE SUPPLIED, BUT ONLY AFTER APPROVAL BY THE CUSTOMER IN WRITING. ON POLE ORDERS AN ANCHOR BOLT TEMPLATE PRINT WILL BE SUPPLIED WITH EACH ANCHOR BOLT ORDER TO MATCH THE POLE PROVIDED. THIS PRINT IS THE PROPERTY OF HOLOPHANE AND IS LOANED SUBJECT TO RETURN UPON DEMAND AND UPON EXPRESS CONDITION THAT IT WILL NOT BE USED DIRECTLY OR INDIRECTLY IN ANY WAY DETRIMENTAL TO OUR INTERESTS, AND ONLY IN CONNECTION WITH MATERIAL FURNISHED BY HOLOPHANE.